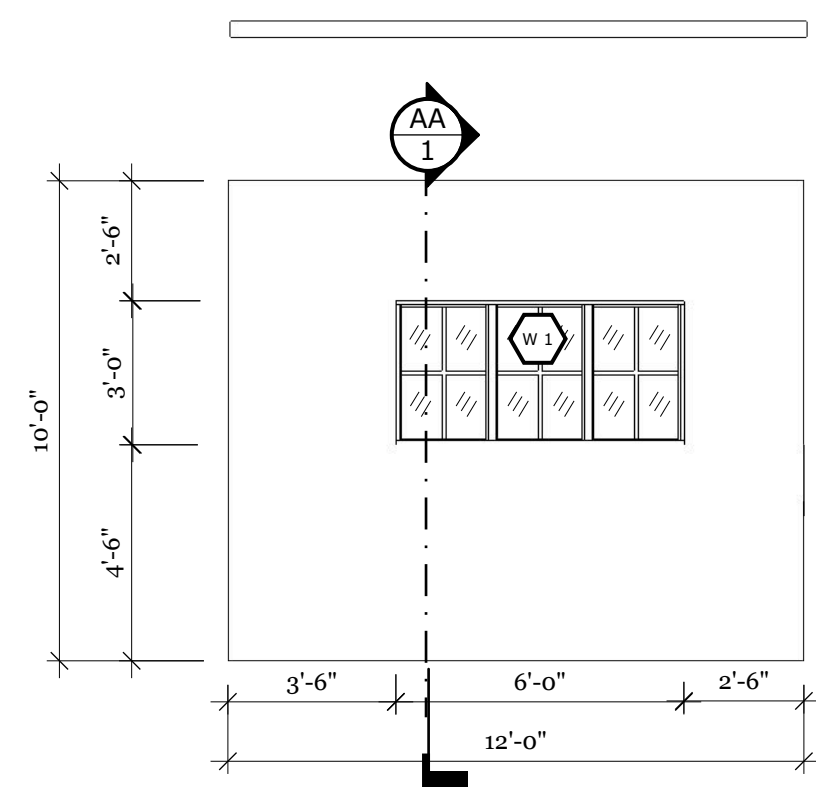
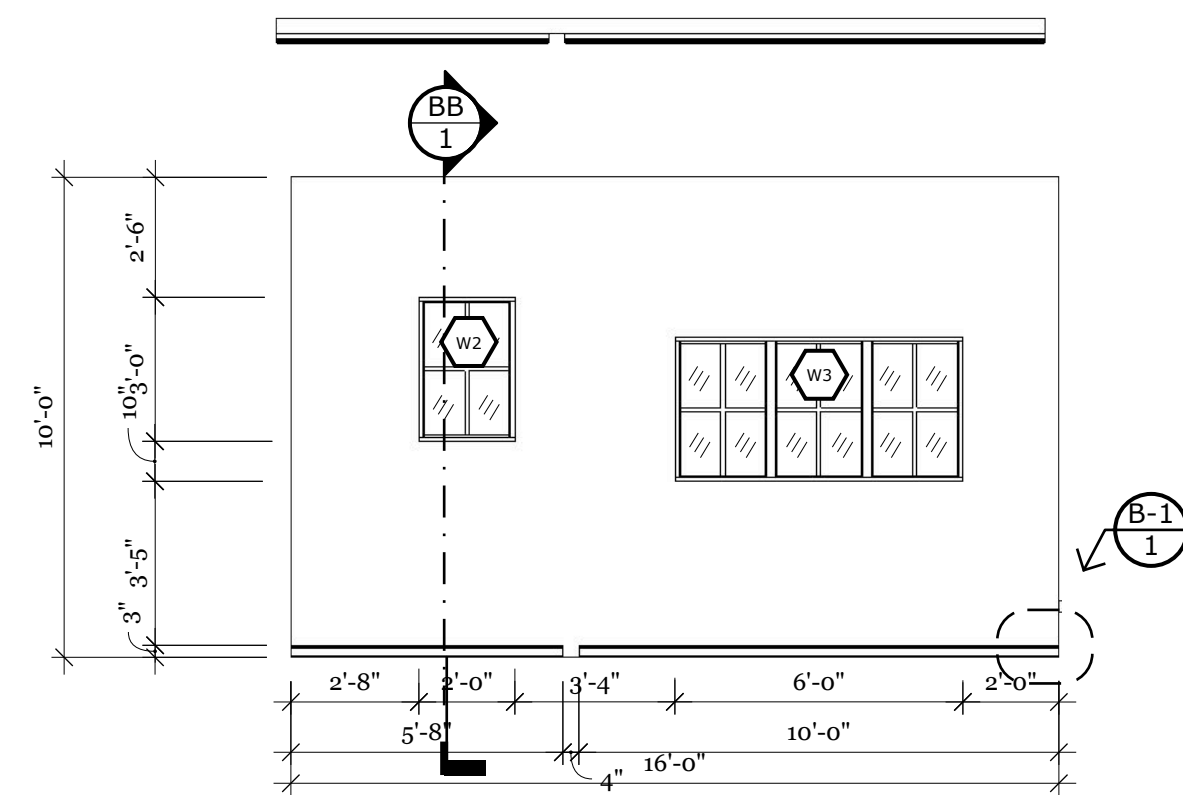


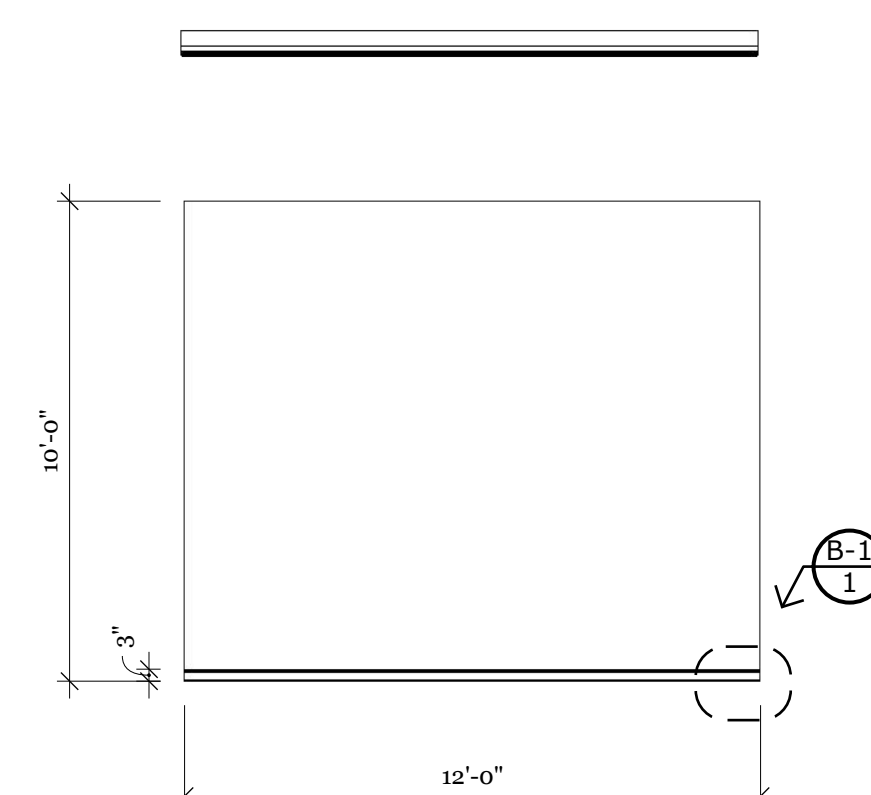
PRODUCTION	MR.MERCEDES	DATE	3/3/21	SET	100
DIRECTOR	PROFESSOR RYAN	SCALE	AS NOTED	DRAWING NO.	
PRODUCTION DESIGNER	TEGAN ZOE PHEL	DRAWN BY		REMARKS	
LOCATION	BILL HODGES HOME INTERIOR				



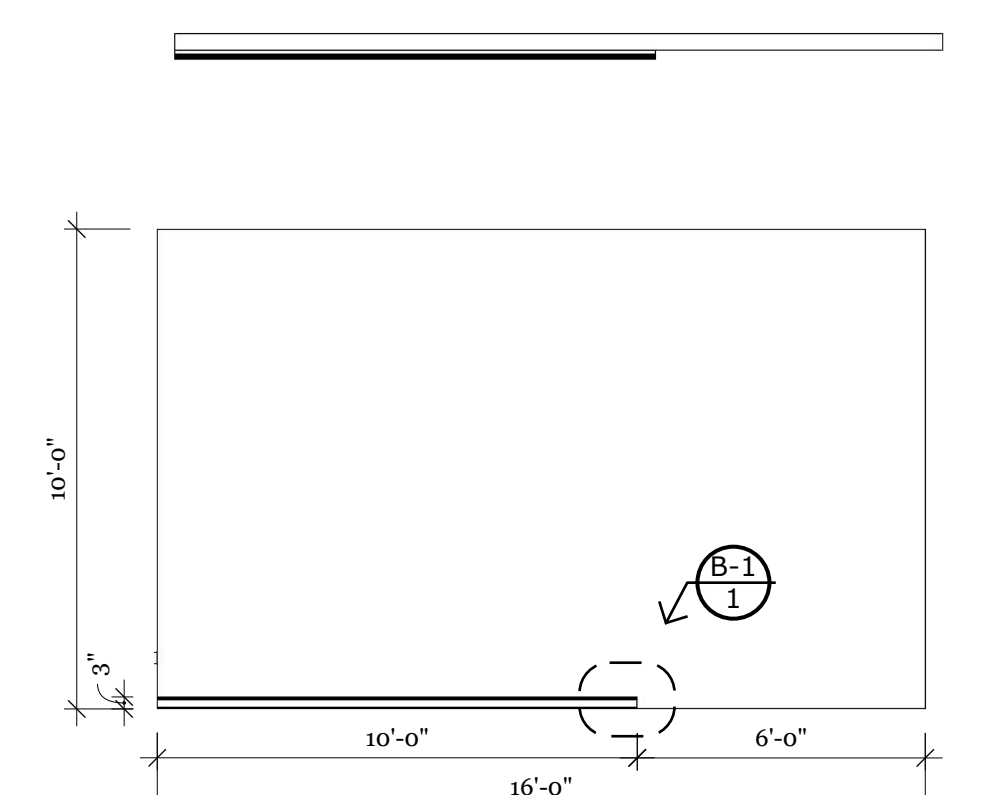
A Elevation
1 1/4" = 1'0



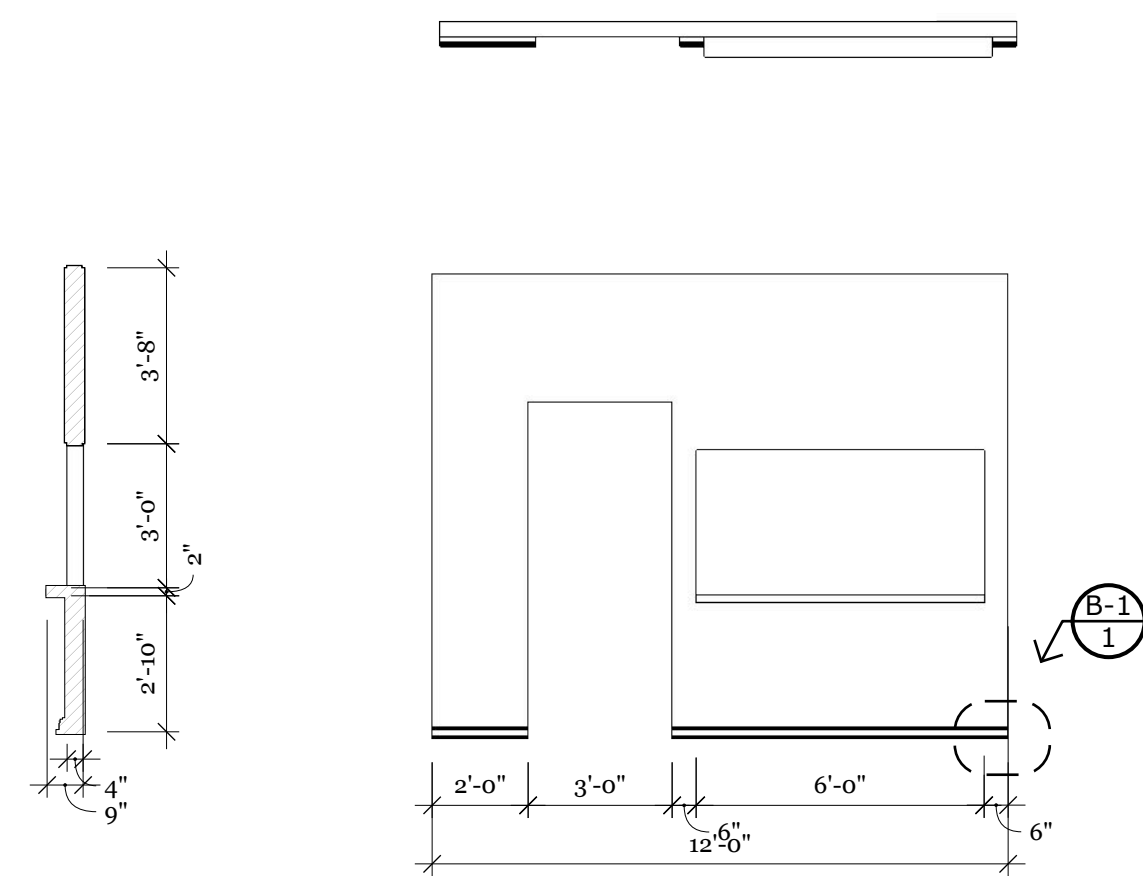
B Elevation
1 1/4" = 1'0



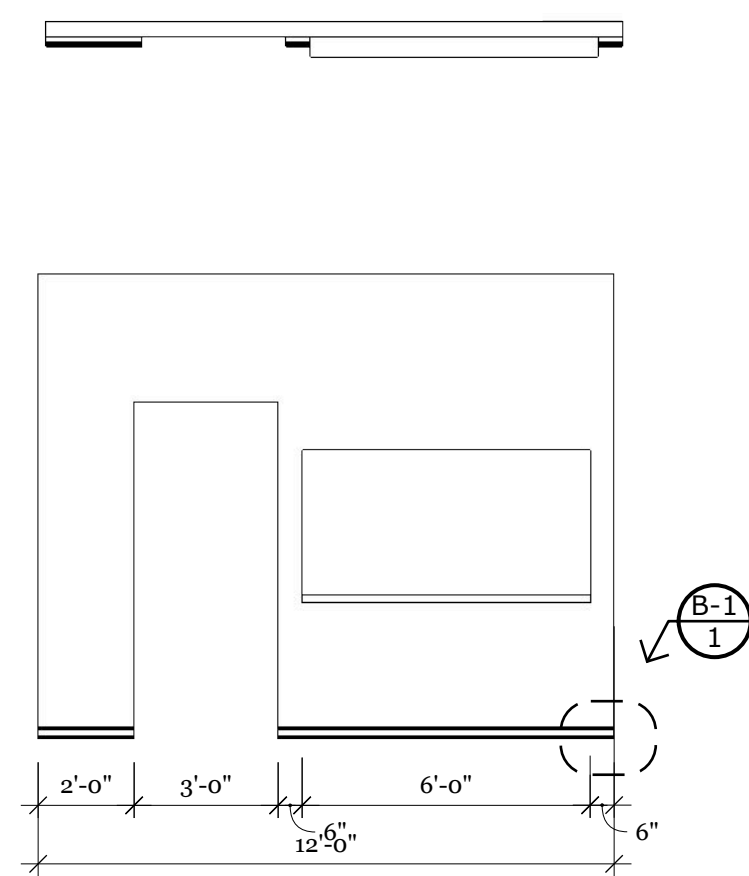
C Elevation
1 1/4" = 1'0



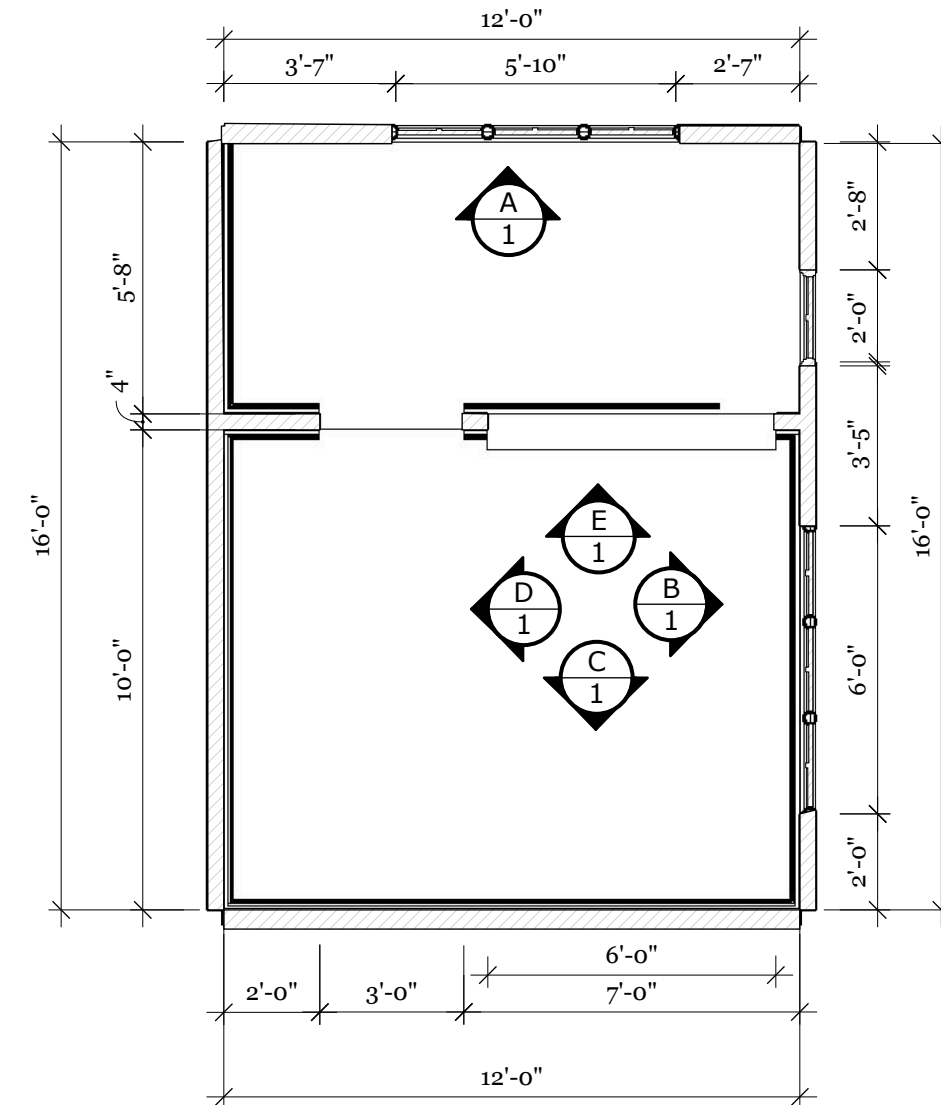
D Elevation
1 1/4" = 1'0



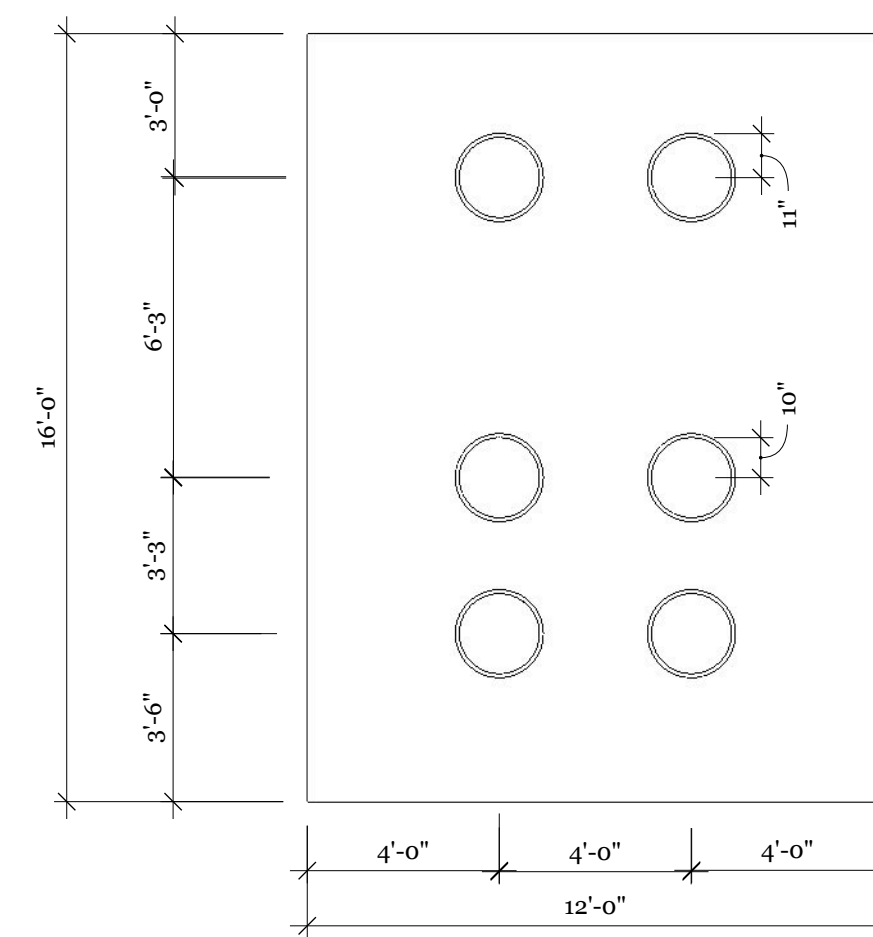
EE Section
1 1/4" = 1'0



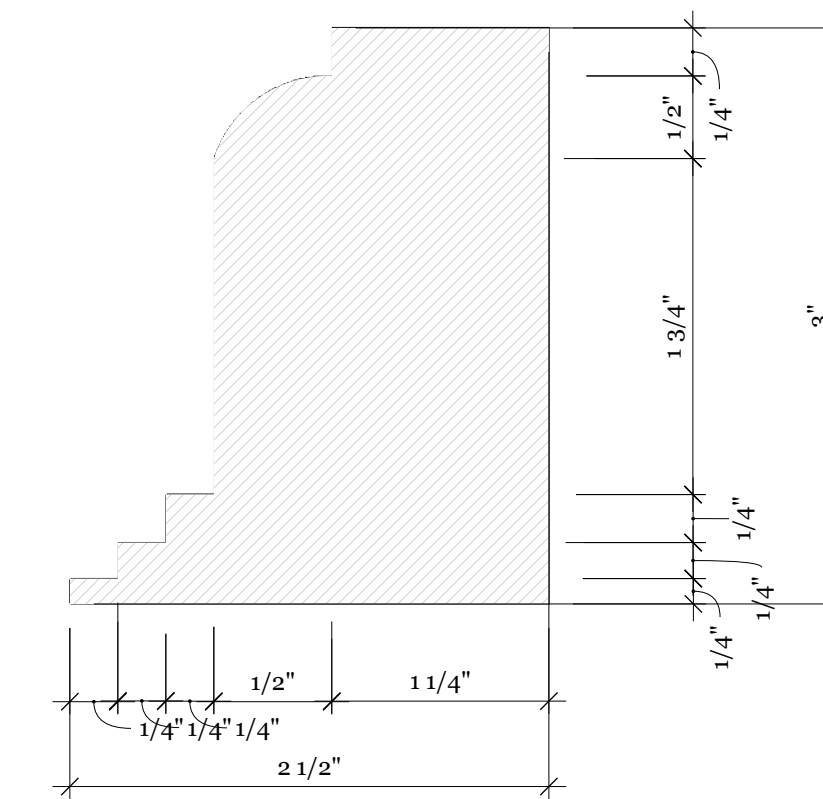
E Elevation
1 1/4" = 1'0



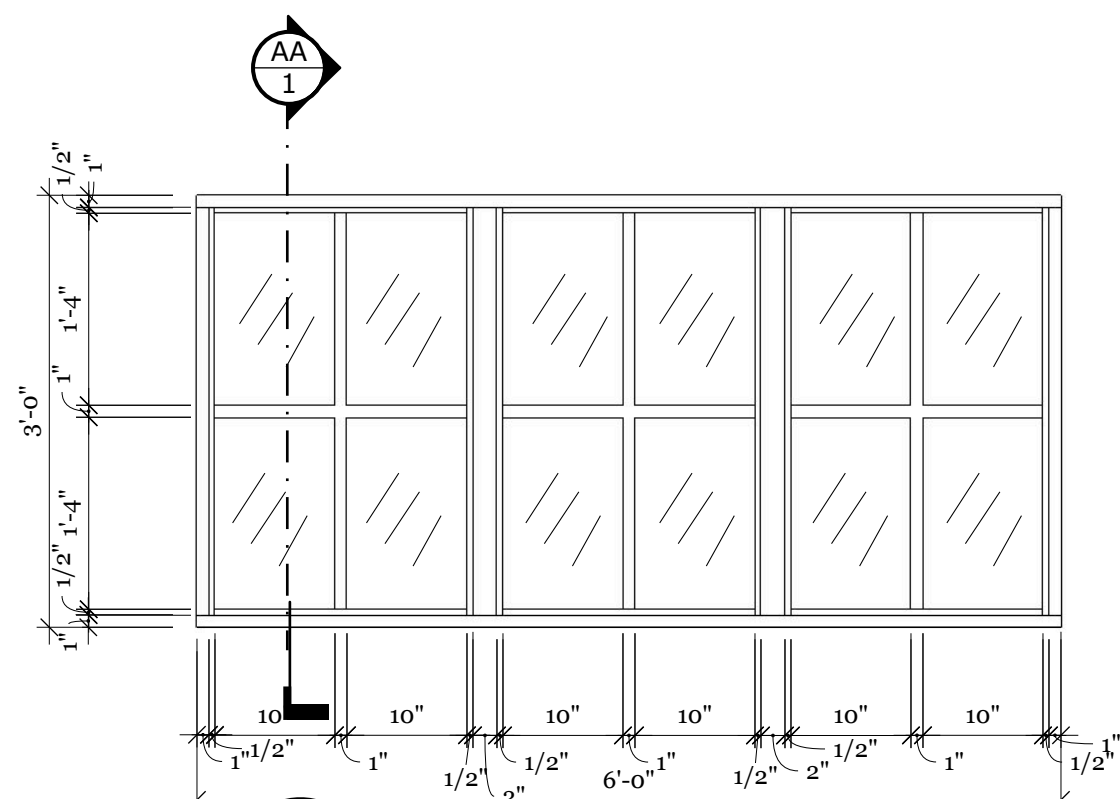
Ground Plan
1/4" = 1'0



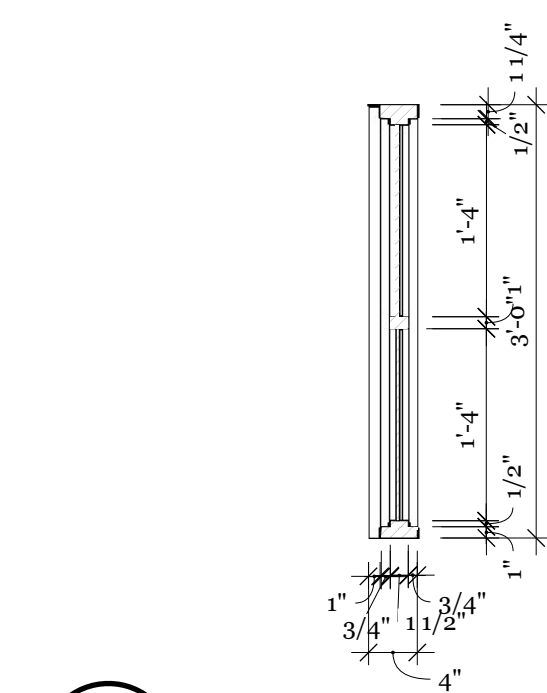
Reflected Ceiling Plan
1/4" = 1'0



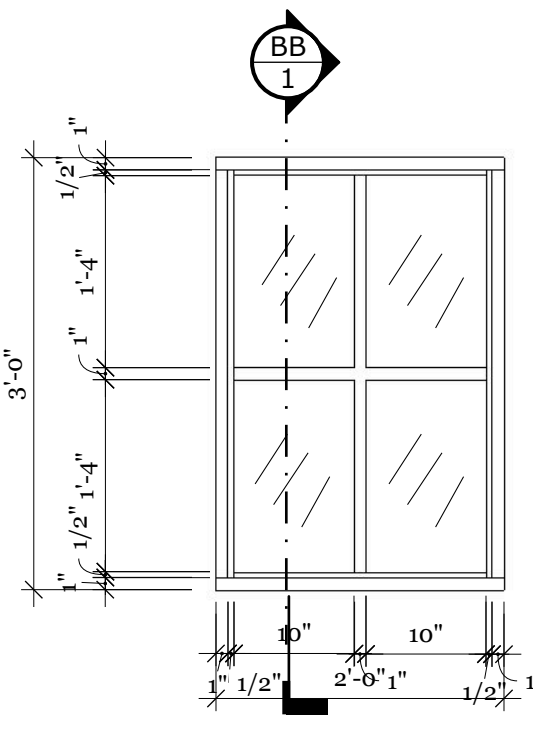
B-1 Moulding
Full Size 1:1



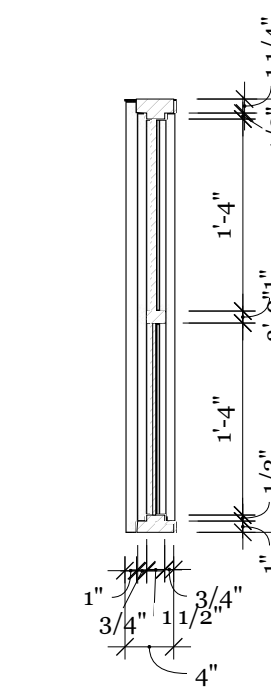
W1 Window 1&3 Elevation
1 3/4" = 1'0



AA Window 1&3 Section
1 3/4" = 1'0



W2 Window 2 Elevation
1 3/4" = 1'0



W2 Window 2 Section
1 3/4" = 1'0

PRODUCTION	MR.MERCEDES	DATE	3/3/21	SET	100
DIRECTOR	PROFESSOR RYAN	SCALE	AS NOTED	DRAWING NO.	1
PRODUCTION DESIGNER	TEGAN ZOEPHEL	DRAWN BY		REMARKS	
LOCATION	BILL HODGES HOME INTERIOR				